



Stahlin Enclosure Accessories

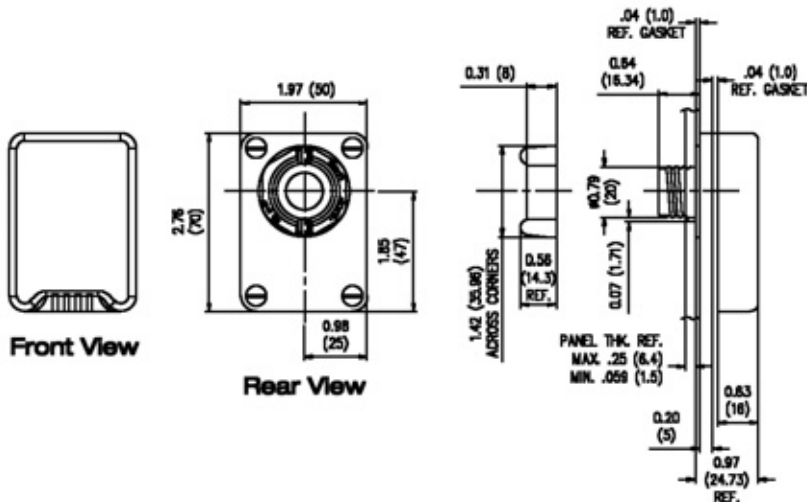
General Accessories

Stahlin enclosures are created in standard forms and shapes, but the ability to customize into unique end user configurations may be the single best reason to buy Stahlin products. Certain accessories are available by part number and can be added at the time of the enclosure purchase, or added later as a separate item.

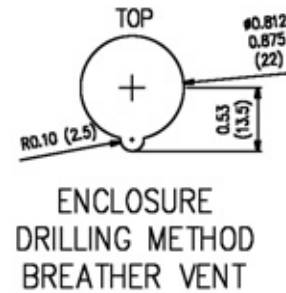
By comparison, modifications are considerably more complex and end user specific and they must be implemented before the enclosure leaves the factory. All items listed as **Accessories** are available as separately priced items. These services designated factory install **Modifications** must be requested at the time of order placement.

Breather Vent – 4X

Stahlin's non-metallic Breather Vent allows an enclosure to "breathe" — literally allowing the free passage of air while maintaining UL Type 4X enclosure integrity as a recognized component.

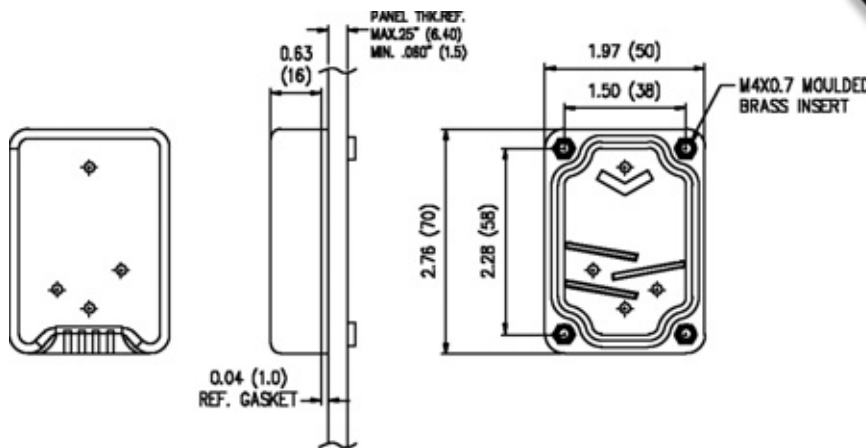


Breather Vent
CATALOG NUMBER
BV4XKIT

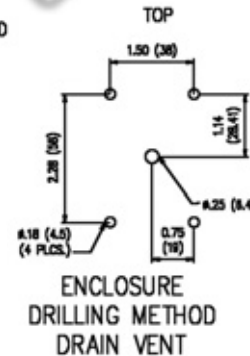


Drain Vent – 4X

Stahlin's new non-metallic Drain Vent reliably protects electrical equipment housed inside an enclosure by properly draining unwanted moisture or accumulated water from within, while maintaining UL Type 4X enclosure integrity as a recognized component.



Drain Vent
CATALOG NUMBER
DV4XKIT



General Accessories

PVC Coated Hubs for use with PVC Coated Rigid Conduit

For connections using rigid PVC coated conduit, Plasti-Bond Red hubs are available in four standard sizes.



Plasti-Bond Red Hubs

CATALOG NUMBER	SIZE
STPRSTG2	3/4"
STPRSTG3	1"
STPRSTG4	1 1/4"
STPRSTG5	1 1/2"

Copper Free Aluminum Hubs for use with Metallic Conduit

Metallic conduit connections can be made with the use of an aluminum hub available in seven standard sizes.

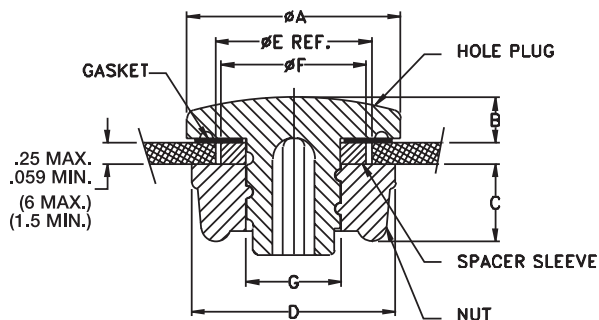


Aluminum Hubs

CATALOG NUMBER	INSIDE DIAMETER	HOLE DIAMETER
M50	1/2"	7/8"
M75	3/4"	11/16"
M100	1"	11/4"
M125	1 1/4"	1 11/16"
M150	1 1/2"	1 7/8"
M200	2"	2 3/8"
M250	2 1/2"	2 7/8"
M300	3"	3 7/16"
M400	4"	4 3/8"

Pluggit!

- Superior corrosion resistance compared to rust-prone carbon steel and other metallic alternatives helps ensure increased enclosure life expectancy.
- Cost effective when compared to either carbon or stainless steel alternatives.
- Considerably better long-term resistance to UV degradation versus UV-susceptible soft rubber plugs that turn brittle from extreme temperature variations and repeated UV exposure.
- Will not create galvanic corrosion associated with dissimilar metals sometimes used in electrical enclosures.
- Maintains all chemical resistance features of current Stahlin products.
- Flame retardant material to UL 94V-0.
- A submersion/hosedown rated component for use in electrical enclosures UL recognized to type 4X and 6P.
- IEC tested to IP66 and IP68.

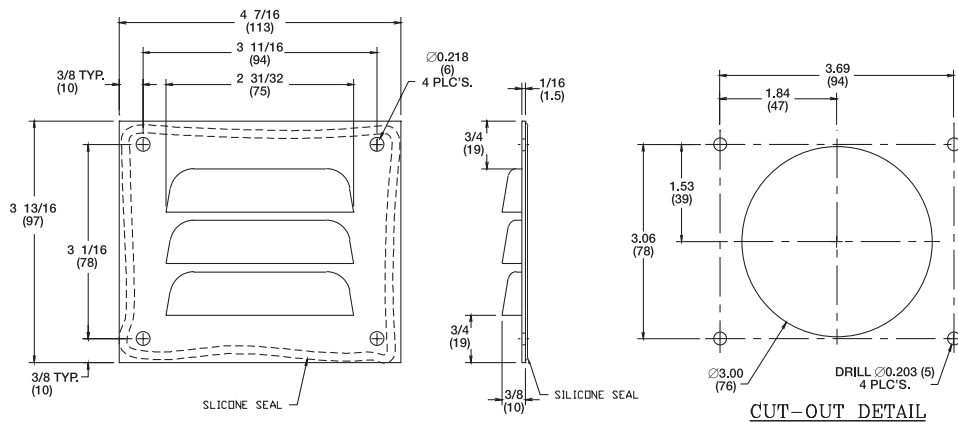


Pluggit!

Kit Number	Config.	ØA	B ^{+0.05"} _{-0.00"}	C	D Across Flats	ØE Ref. - Nom. Hole Dia. Range	ØF	ØG	Common Industry Applications
HPSERIES 1	HP1					0.50" - 0.56" (12.70 - 14.29)	N/A		1/2" Dia. Hole
	HP2	1.00" (25.40)	0.22" (5.59)	0.35" (8.89)	0.88" (22.35)	0.63" - 0.69" (16.00 - 17.46)	0.56" (14.22)	0.44" (11.18)	5/8" Dia. Hole
	HP3					0.75" - 0.81" (19.05 - 20.64)	0.68" (17.27)		3/4" Dia. Hole
HPSERIES 1.5	HP3.5	1.20" (30.48)	0.22" (5.59)	0.33" (8.38)	1.04" (26.39)	0.88" (22.35)	N/A	0.81" (20.57)	1/2" Conduit
	HP4					0.88" - 1.00" (22.35 - 25.40)	N/A		1/2" Conduit 22mm PB
HPSERIES 2	HP5	1.50" (38.10)	0.22" (5.59)	0.38" (9.63)	1.38" (35.05)	1.06" - 1.12" (26.92 - 28.45)	1.03" (26.16)	0.85" (21.59)	3/4" Conduit
	HP6					1.22" - 1.28" (30.73 - 32.51)	1.19" (30.22)		30mm PB
	HP7					1.38" - 1.50" (35.05 - 38.10)	N/A	1.35" (34.29)	1" Conduit
HPSERIES 3	HP8					1.69" - 1.75" (42.67 - 44.45)	1.65" (41.91)		1-1/4" Conduit
	HP9	2.00" (50.80)	0.22" (5.59)	0.38" (9.63)	1.88" (47.75)	2.00" - 2.12" (50.80 - 53.85)	N/A	1.97" (50.04)	1-1/2" Conduit
HPSERIES 4	HP10	2.75" (69.85)	0.22" (5.59)	0.41" (10.41)	2.63" (66.67)	2.50" - 2.56" (63.50 - 65.09)	2.44" (61.89)		2" Conduit
	HP11	3.38" (85.85)	0.22" (5.59)	0.34" (8.63)	3.38" (85.85)	3.00" (76.20)	N/A	2.97" (75.44)	2-1/2" Conduit
HPSERIES 6	HP12	4.00" (101.60)	0.22" (5.59)	0.34" (8.63)	4.00" (101.60)	3.62" (91.95)	N/A	3.59" (91.19)	3" Conduit
HPSERIES 7	HP13	4.50" (114.30)	0.22" (5.59)	0.38" (9.63)	4.50" (114.30)	4.12" (104.65)	N/A	4.09" (103.88)	3-1/2" Conduit
HPSERIES 8	HP14	5.00" (127.00)	0.22" (5.59)	0.41" (10.41)	5.00" (127.00)	4.62" (117.35)	N/A	4.59" (116.58)	4" Conduit

General Accessories

Louver Plate Vent



Louver Plate Vent

CATALOG NUMBER
LP1
LPK3KIT

Note: Kit includes LP1 plus silicone pack and four rivets



Drain & Vent

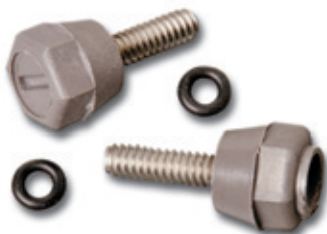


Drain & Vent

CATALOG NUMBER
DV1PVC
DVK3KIT

Note: Kit includes DV1PVC and silicone packet

Encapsulated Screws



Encapsulated

CATALOG NUMBER
2PKENCAP
4PKENCAP

Stainless Steel Screws



Stainless Steel Cover Screws

CATALOG NUMBER	SERIES	TYPE
2PKSS*	J	Cover
4PKSS*	J	Cover
4PKSSCF*	CF	Cover
2PKSSCL*	CL	Cover
4PKBPSS**	DS, J, CL	Back Panel
4PKBPN1610**	N	Back Panel
4PKBPN**	N	Back Panel
6PKBPN**	N	Back Panel
8PKBPN**	N	Back Panel

Note: * includes cover screws and "O" rings.
 ** includes back panel screws and washers.

General Accessories

Vapor Capsule



Stahlin Vapor Capsules contain a unique vapor phase inhibitor designed to protect metallic surfaces within an enclosure against airborne corrosion.

Louver Plate Vent	
CATALOG NUMBER	
VC21	

Note: Radius of Protection: 2 ft.
Normal Life Span: 1 yr.

Plastic Print Pocket



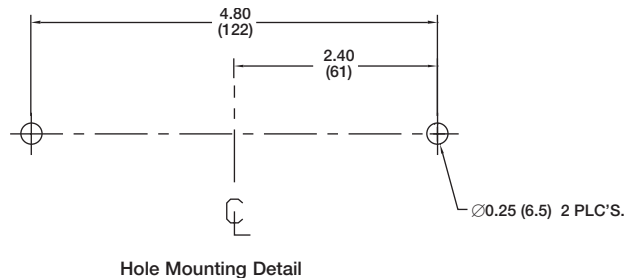
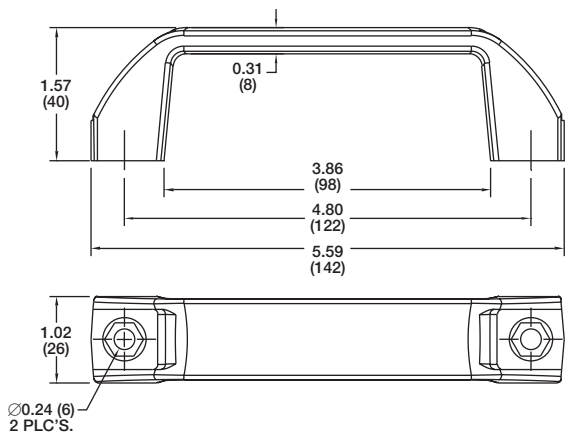
Stahlin's Print Pocket is self adhesive and can be utilized to store prints or other important documents within the enclosure.

Stainless Steel Cover Screws			
CATALOG NUMBER	HEIGHT	WIDTH	DEPTH
PRTPKT	9.3"	10.4"	1.2"

Carrying Handle



Carrying Handle	
CATALOG NUMBER	
CH109506	



General Accessories

Nylon Cord Grip Fittings

Nylon cord grips are durable and easy to install. The body and sealing nut are manufactured with a tough, impact resistant nylon. Together the nut and washer form a positive sealing grip when installed through an enclosure wall. The oil resistant neoprene grommet and nylon washer fit tightly around an entrance cord, sealing out moisture, dust and foreign materials.

NEMA STD FBI-1983

UL STD 514 File No. 53599 Type 4

CSA STD 22.2 No. 18 File No. 28985 Type 4

HAZ LOC NEC 501-4(b), 502-4(a)(2), 503-3(a)

Class I, Div 2, Class II Div 1 and 2; Class III Div 1 and 2



Nylon Cord Grip			
CATALOG NUMBER	HUB DIAMETER	CABLE DIAMETER RANGE	INSIDE BODY DIAMETER
5122	1/2"	.250-.312	.625
5123	1/2"	.312-.375	.625
5124	1/2"	.375-.437	.625
5125	1/2"	.437-.500	.625
5126*	1/2"	.500-.562	.625
5146	3/4"	.562-.625	.788

*Cable jacket may have to be stripped for clearance

Nominal O.D.				
SIZE	TYPE	2 COND	3 COND	4 COND
18	SV-SVT	.24	.25	.26
	SJ-SJO	.31	.34	.36
	S-SO	.39	.41	.44
	SJTO	.30	.33	.36
	STO	.38	.39	.42
16	SJ-SJO	.33	.36	.39
	S-SO	.41	.43	.49
	SJTO	.32	.35	.39
	STO	.39	.42	.47
14	SJO	.43	.47	.61
	S-SO	.53	.56	.61
	STO	.52	.55	.59
	BDC			.40
12	S-SO	.61	.64	.67
	STO	.59	.63	.67
	BDC			.45
10	S-SO	.64	.69	.75
	STO	.64	.68	.74
	BDC			.50
8	S-SO	.79	.90	.97
	STO	.81	.85	.96
	BDC			.68
6	S-SO	.91	.99	1.07
	STO	.95	1.00	
	BDC			.80
4	S-SO	1.09	1.15	1.29
	STO	1.10	1.15	1.30
	BDC			.94
2	STO	1.29	1.34	
	BDC			1.08

Dimensional data is taken from various cable manufacturers. It is not guaranteed but usable for general purposes.

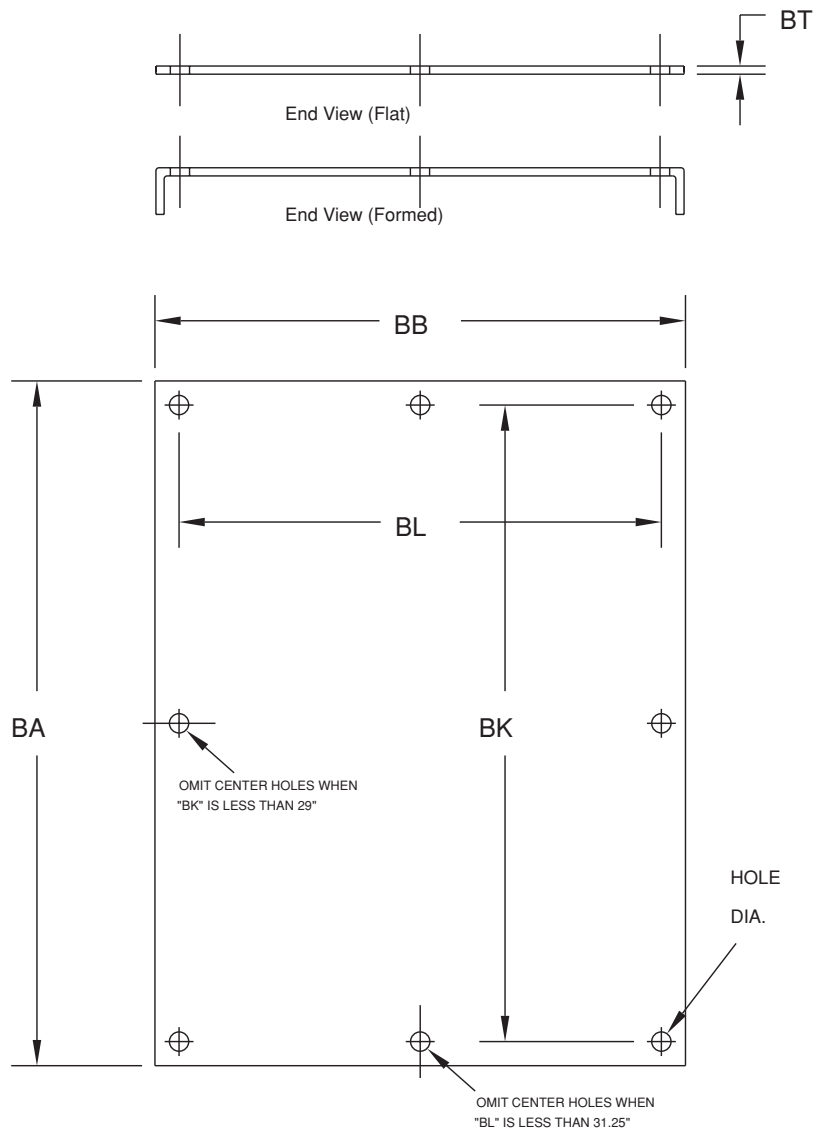
General Accessories

Back Panels



Back Panels				
CATALOG SUFFIX	MATERIAL	GRADE	FINISH	MISC.
AL	Aluminum	3003 H14	None	
SS	Stainless Steel	304	None	
FG	Fiberglass			UL94-V0
CS	Carbon Steel	1008/1010	Painted White Enamel	

Note: Available for all product families unless otherwise specified



Enclosure Specific Accessories

Typical Series Designators: DS, J, JCC, RJ, CL, PC, F Back Panel Dimensions

SIZE ID NUMBER	BA	BB	BK	BL	BT (AL)	BT (FG)	BT (SS)	BT (CS)	PANEL TYPE	HOLE DIA.	# OF HOLES	Weight (Aluminum) Suffix: AL	Weight (Fiberglass) Suffix: FG	Weight (Stainless) Suffix: SS	Weight (Carbon Steel) Suffix: CS
BP64	4.88 (124)	2.88 (73)	4.25 (108)	2.25 (57)	.080 (2)	.125 (3)	.060 (2)	.075 (2)	Flat	.25 (6)	4	2 oz.	2 oz.	5 oz.	6 oz.
BP66	4.88 (124)	4.88 (124)	4.25 (108)	4.25 (108)	.080 (2)	.125 (3)	.060 (2)	.075 (2)	Flat	.25 (6)	4	3 oz.	3 oz.	6 oz.	8 oz.
BP76	6 (152)	4.88 (124)	5.38 (137)	4.25 (108)	.080 (2)	.125 (3)	.060 (2)	.075 (2)	Flat	.25 (6)	4	4 oz.	4 oz.	9 oz.	10 oz.
BP86	6.88 (175)	4.88 (124)	6.25 (159)	4.25 (108)	.080 (2)	.125 (3)	.060 (2)	.075 (2)	Flat	.25 (6)	4	4 oz.	4 oz.	12 oz.	12 oz.
BP88	6.88 (175)	6.88 (175)	6.25 (159)	6.25 (159)	.080 (2)	.125 (3)	.060 (2)	.075 (2)	Flat	.25 (6)	4	5 oz.	5 oz.	15 oz.	15 oz.
BP96	8.25 (210)	4.88 (124)	7.63 (194)	4.25 (108)	.080 (2)	.125 (3)	.060 (2)	.075 (2)	Flat	.25 (6)	4	5 oz.	5 oz.	12 oz.	14 oz.
BP108	8.88 (225)	6.88 (175)	8.25 (210)	6.25 (159)	.080 (2)	.125 (3)	.060 (2)	.075 (2)	Flat	.25 (6)	4	8 oz.	8 oz.	1.2 lb.	1.3 lb.
BP1210	10.88 (276)	8.88 (225)	10.25 (260)	8.25 (210)	.080 (2)	.125 (3)	.060 (2)	.075 (2)	Flat	.25 (6)	4	12 oz.	14 oz.	1.9 lb.	2.1 lb.
BP1212	10.88 (276)	10.88 (276)	10.25 (260)	10.25 (260)	.080 (2)	.125 (3)	.060 (2)	.075 (2)	Flat	.25 (6)	4	1 lb.	1.1 lb.	2.3 lb.	2.4 lb.
BP1407	12.88 (327)	5.88 (149)	12.25 (311)	5.25 (133)	.080 (2)	.125 (3)	.060 (2)	.075 (2)	Flat	.25 (6)	4	14 oz.	14 oz.	2 lb.	2.1 lb.
BP1412	12.88 (327)	10.88 (276)	12.25 (311)	10.25 (260)	.080 (2)	.125 (3)	.060 (2)	.075 (2)	Flat	.25 (6)	4	1.125 lb.	1.3 lb.	2.8 lb.	3 lb.
BP1614	14.88 (378)	12.88 (327)	14.25 (362)	12.25 (311)	.080 (2)	.125 (3)	.060 (2)	.075 (2)	Flat	.25 (6)	4	1.5 lb.	1.4 lb.	3.8 lb.	4.1 lb.
BP1816	16.88 (429)	14.88 (378)	16.25 (413)	14.25 (362)	.080 (2)	.125 (3)	.060 (2)	.075 (2)	Flat	.25 (6)	4	1.94 lb.	2 lb.	5.5 lb.	5.4 lb.
BPJ2016	18.88 (479)	14.88 (378)	18.25 (463)	14.25 (362)	.080 (2)	.125 (3)	.060 (2)	.075 (2)	Flat	.25 (6)	4	2.25 lb.	2.1 lb.	6.1 lb.	6.1 lb.

Caution: Metric units are for reference do not convert.

Note: When specifying combine Size ID Number and Material Suffix

Example: BP64SS for 6x4 Stainless Steel Back Panel

Typical Series Designators: C - Disconnect Back Panel Dimensions

SIZE ID NUMBER	BA	BB	BK	BL	Panel Thickness BT	Panel Type	Hole Dia.	# of Holes	Weight (Steel) (suffix: CS)	Fits Typical Enclosure Size
BP2016CD	16.88 (429)	13.38 (340)	15.25 (387)	11.25 (286)	0.13 (2)	Formed	0.31 (8)	4	7.3 lbs.	20 x 16 Disconnect Enclosure
BP2412CD	20.88 (530)	9.38 (238)	19.25 (489)	7.25 (184)	0.13 (2)	Formed	0.50 (13)	4	6.5 lbs.	24 x 12 Disconnect Enclosure
BP2424CD	20.88 (530)	21.38 (543)	19.25 (489)	19.25 (489)	0.13 (2)	Formed	0.50 (13)	4	14 lbs.	24 x 24 Disconnect Enclosure
BP3024CD	26.88 (683)	21.38 (543)	25.25 (641)	19.25 (489)	0.13 (2)	Formed	0.50 (13)	4	19 lbs.	30 x 24 Disconnect Enclosure
BP3630CD	32.88 (835)	27.38 (695)	31.25 (794)	25.25 (641)	0.13 (2)	Formed	0.50 (13)	6	29 lbs.	36 x 30 Disconnect Enclosure

Caution: Metric units are for reference do not convert.

Note: Carbon Steel (CS) available only

Enclosure Specific Accessories

Typical Series Designation: N Series Back Panel Dimensions

SIZE ID NUMBER	BA	BB	BK	BL	BT (AL)	BT (SS)	BT (CS)	PANEL TYPE	HOLE DIA.	# OF HOLES	Weight (Aluminum) Suffix: AL	Weight (Stainless) Suffix: SS	Weight (Carbon Steel) Suffix: CS
BP1610	13.00 (330)	8.50 (216)	12.00 (305)	7.50 (191)	.080 (2)	.060 (2)	.105 (3)	Flat	0.31 (8)	4	1 lb	1.5 lbs	3.3 lbs
BP2016	17.00 (432)	13.00 (330)	15.25 (387)	11.25 (286)	.080 (2)	.060 (2)	.105 (3)	Flat	.50 (13)	4	2 lbs	3.7 lbs	6.7 lbs
BP2020	17.00 (432)	17.00 (432)	15.25 (387)	15.25 (387)	.080 (2)	.060 (2)	.105 (3)	Flat	.50 (13)	4	2.5 lbs	4 lbs	5.7 lbs
BP2412	21.00 (533)	9.00 (229)	19.25 (489)	7.25 (184)	.080 (2)	.060 (2)	.105 (3)	Flat	.50 (13)	4	1.5 lbs	5 lbs	8.7 lbs
BP2420	21.00 (533)	17.00 (432)	19.25 (489)	15.25 (387)	.13 (3)	.060 (2)	.105 (3)	Flat	.50 (13)	4	4.5 lbs	6 lbs	10.8 lbs
BP2424	21.00 (533)	21.00 (533)	19.25 (489)	19.25 (489)	.13 (3)	.060 (2)	.105 (3)	Flat	.50 (13)	4	5.5 lbs	7.4 lbs	13.4 lbs
BP3020	27.00 (686)	17.00 (432)	25.25 (641)	15.25 (387)	.13 (3)	.060 (2)	.105 (3)	Flat	.50 (13)	4	5.8 lbs	7.7 lbs	14 lbs
BP3024	27.00 (686)	21.00 (533)	25.25 (641)	19.25 (489)	.13 (3)	.060 (2)	.105 (3)	Flat	.50 (13)	4	7 lbs	9.6 lbs	17 lbs
BP3630	33.00 (838)	27.00 (686)	31.25 (794)	25.25 (641)	.13 (3)	.060 (2)	.105 (3)	Flat	.50 (13)	4	11 lbs	15.2 lbs	27 lbs
BP3636	31.00 (787)	33.00 (838)	29.00 (737)	31.00 (787)	.13 (3)	.060 (2)	.105 (3)	Formed	.50 (13)	6	14 lbs	18.5 lbs	33 lbs
BP4836	45.00 (1143)	33.00 (838)	43.25 (1099)	31.25 (794)	.13 (3)	.060 (2)	.105 (3)	Formed	.50 (13)	8	20 lbs	N/A	47 lbs
BP6036	57.00 (1448)	33.00 (838)	55.25 (1403)	31.25 (794)	.13 (3)	.105 (3)	.105 (3)	Formed	.50 (13)	8	25 lbs	N/A	60 lbs
BP7225	64.00 (1626)	21.00 (533)	62.00 (1575)	19.00 (483)	.13 (3)	.105 (3)	.105 (3)	Formed	.50 (13)	10	18.5 lbs	N/A	43 lbs
* BP7249	64.00 (1626)	22.00 (559)	62.00 (1575)	20.00 (508)	.13 (3)	.105 (3)	.105 (3)	Formed	.50 (13)	10	38 lbs	N/A	86 lbs
* BP7260	64.00 (1626)	27.50 (698)	62.00 (1575)	25.50 (648)	.13 (3)	.105 (3)	.105 (3)	Formed	.50 (13)	10	46 lbs	N/A	109 lbs

* Set of two panels.

Caution: Metric units are for reference; do not convert.

Note: When specifying combine Size ID Number and Material Suffix

Example: BP1610CS for 16x10 Carbon Steel Back Panel

Enclosure Specific Accessories – Control Series Back Panels

Typical Series Designation: N Series Back Panel Dimensions

SIZE ID NUMBER	BA	BB	BK	BL	BT (AL)	BT (FG)	BT (SS)	BT (CS)	PANEL TYPE	HOLE DIA.	# OF HOLES	Weight (Aluminum) Suffix: AL	Weight (Stainless) Suffix: SS	Weight (Carbon Steel) Suffix: CS
BP3648*	31.00 (787)	22.00 (559)	29.00 (737)	20.00 (508)	0.125 (3)	0.25 (6)	0.060 (2)	0.105 (3)	Flat	0.500 (13)	8	1 lb.	N/A	3.3 lbs.
BP5442*	49.00 (1245)	19.00 (483)	47.00 (1194)	17.00 (432)	0.125 (3)	0.25 (6)	0.060 (2)	0.105 (3)	Formed	0.563 (14)	6	2 lbs.	N/A	6.7 lbs.
BP6024	57.00 (1448)	21.00 (533)	55.25 (1403)	19.25 (489)	0.125 (3)	0.25 (6)	0.060 (2)	0.105 (3)	Formed	0.563 (14)	6	2.5 lbs.	N/A	5.7 lbs.
BP6048*	52.50 (1334)	21.5 (546)	50.50 (1283)	19.50 (495)	0.125 (3)	0.25 (6)	0.060 (2)	0.105 (3)	Formed	0.563 (14)	10	1.5 lbs.	N/A	8.7 lbs.
BP6060*	52.50 (1334)	27.50 (699)	50.50 (1283)	25.50 (648)	0.125 (3)	0.25 (6)	0.060 (2)	0.105 (3)	Formed	0.563 (14)	10	4.5 lbs.	N/A	10.8 lbs.
BP6248*	54.50 (1384)	21.50 (546)	52.50 (1334)	19.50 (495)	0.125 (3)	0.25 (6)	0.060 (2)	0.105 (3)	Formed	0.563 (14)	10	5.5 lbs.	N/A	13.4 lbs.
BP6260*	54.50 (1384)	27.50 (699)	52.50 (1334)	25.50 (648)	0.125 (3)	0.25 (6)	0.060 (2)	0.105 (3)	Formed	0.563 (14)	10	5.8 lbs.	N/A	14 lbs.
BP7224	64.00 (1626)	20.00 (508)	62.00 (1575)	18.00 (457)	0.125 (3)	0.25 (6)	0.060 (2)	0.105 (3)	Formed	0.563 (14)	10	7 lbs.	N/A	17 lbs.
BP7230	64.00 (1626)	26.00 (660)	62.00 (1575)	24.00 (610)	0.125 (3)	0.25 (6)	0.060 (2)	0.105 (3)	Formed	0.563 (14)	10	11 lbs.	N/A	27 lbs.
BP7231	64.00 (1626)	27.00 (686)	62.00 (1575)	25.00 (635)	0.125 (3)	0.25 (6)	0.060 (2)	0.105 (3)	Formed	0.438 (11)	10	14 lbs.	N/A	N/A
BP7236	64.00 (1626)	32.00 (813)	62.00 (1575)	30.00 (762)	0.125 (3)	0.25 (6)	0.060 (2)	0.105 (3)	Formed	0.563 (14)	10	20 lbs.	N/A	47 lbs.
BP7237	64.00 (1626)	33.00 (838)	62.00 (1575)	31.00 (787)	0.125 (3)	0.25 (6)	0.060 (2)	0.105 (3)	Formed	0.563 (14)	10	25 lbs.	N/A	60 lbs.
BP7248*	64.00 (1626)	21.50 (546)	62.00 (1575)	19.50 (495)	0.125 (3)	0.25 (6)	0.060 (2)	0.105 (3)	Formed	0.563 (14)	10	18.5 lbs.	N/A	43 lbs.
BP7272*	64.00 (1626)	33.50 (851)	62.00 (1575)	31.50 (800)	0.125 (3)	0.25 (6)	0.060 (2)	0.105 (3)	Formed	0.563 (14)	10	38 lbs.	N/A	128 lbs.
BP7460*	66.00 (1676)	27.50 (699)	64.00 (1626)	25.50 (648)	0.125 (3)	0.25 (6)	0.060 (2)	0.105 (3)	Formed	0.563 (14)	10	46 lbs.	N/A	109 lbs.
BP7472*	66.00 (1676)	33.50 (851)	64.00 (1626)	31.50 (800)	0.125 (3)	0.25 (6)	0.060 (2)	0.105 (3)	Formed	0.563 (14)	10	60 lbs.	N/A	132 lbs.
BP9024	82.00 (2083)	20.00 (508)	80.00 (2032)	18.00 (457)	0.125 (3)	0.25 (6)	0.060 (2)	0.105 (3)	Formed	0.563 (14)	10	23 lbs.	N/A	49 lbs.
BP9036	82.00 (2083)	32.00 (813)	80.00 (2032)	30.00 (762)	0.125 (3)	0.25 (6)	0.060 (2)	0.105 (3)	Formed	0.563 (14)	10	36 lbs.	N/A	79 lbs.
BP9048*	82.00 (2083)	21.5 (546)	80.00 (2032)	19.50 (495)	0.125 (3)	0.25 (6)	0.060 (2)	0.105 (3)	Formed	0.563 (14)	10	48 lbs.	N/A	105 lbs.
BP9072*	82.00 (2083)	33.50 (851)	80.00 (2032)	31.50 (800)	0.125 (3)	0.25 (6)	0.060 (2)	0.105 (3)	Formed	0.563 (14)	10	72 lbs.	N/A	164 lbs.

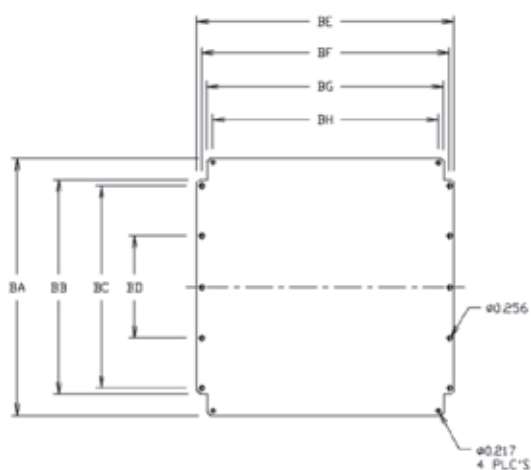
* Set of two panels.

Caution: Metric units are for reference; do not convert.

Note: When specifying combine Size ID Number and Material Suffix

Example: BP1610CS for 16x10 Carbon Steel Back Panel

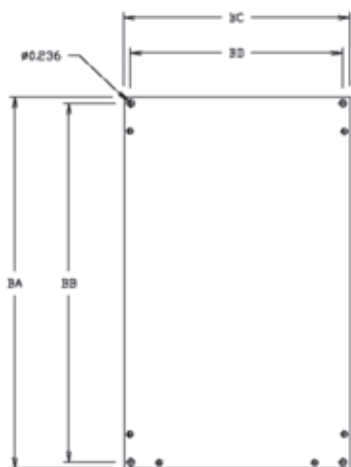
Enclosure Specific Accessories – DuraBoxx Back Panels



DuraBoxx® D Series Back Panel Dimensions

BACK PANEL MODEL NO.	BA	BB	BC	BD	BE	BF	BG	BH	# OF HOLES
D333BP	2.48 (63)	1.02 (26)	N/A	N/A	2.68 (68)	2.28 (58)	1.85 (47)	N/A	2
D342BP	2.44 (62)	1.26 (32)	N/A	N/A	3.82 (97)	3.50 (89)	3.27 (83)	N/A	2
D554BP	4.21 (107)	2.44 (62)	2.05 (52)	N/A	4.29 (109)	3.74 (95)	3.39 (86)	2.83 (72)	6
D594BP	4.21 (107)	2.44 (62)	2.05 (52)	N/A	8.15 (207)	7.60 (193)	7.24 (184)	6.69 (170)	6
D774BP	5.67 (144)	3.43 (87)	2.99 (76)	N/A	5.67 (144)	5.20 (132)	4.61 (117)	4.02 (102)	6
D7114BP	5.67 (144)	3.43 (87)	2.99 (76)	N/A	9.61 (244)	9.13 (232)	8.54 (217)	7.95 (202)	6
D10105BP	9.17 (233)	6.93 (176)	3.94 (100)	N/A	9.37 (238)	8.94 (227)	8.31 (211)	7.72 (196)	6
D10165BP	9.17 (233)	6.93 (176)	3.94 (100)	N/A	15.08 (383)	14.65 (372)	14.02 (356)	13.43 (341)	6
D14144BP	13.54 (344)	11.30 (287)	10.63 (270)	5.35 (136)	13.54 (344)	13.07 (332)	12.48 (317)	11.89 (302)	10
D16165BP	15.28 (388)	13.03 (331)	9.84 (250)	N/A	15.04 (382)	14.65 (372)	13.98 (355)	13.43 (341)	6

Caution: Metric units are for reference; do not convert.

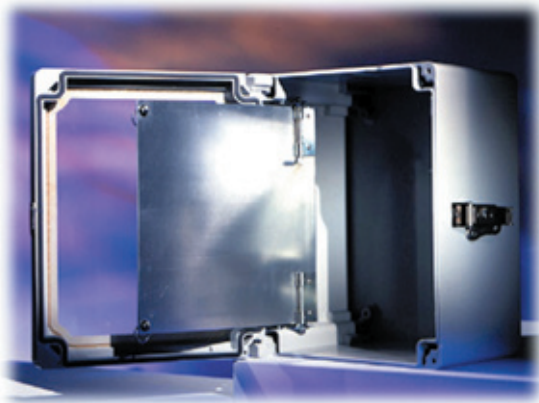


DuraBoxx® DL Series Back Panel Dimensions

BACK PANEL MODEL NO.	BA	BB	BC	BD	# OF HOLES
DL18127BP	13.94 (354)	13.46 (342)	8.46 (215)	7.95 (202)	4
DL18168BP	14.80 (376)	14.25 (362)	12.83 (326)	12.24 (311)	4
DL24168BP	21.89 (556)	21.34 (542)	14.84 (377)	14.21 (361)	4

Caution: Metric units are for reference; do not convert.

Enclosure Specific Accessories - Dead Front Panels



A dead front panel is designed to obscure the view of circuitry or devices while offering a cosmetically pleasing mounting surface. In a designer's view, the dead front panel can represent the cover of the enclosure that will now rest beneath a clear hinged door. This emphasizes the importance of full clear window fronts and fully clear covers.

Stahlin produces a top quality design, inclusive of spring-loaded releasable hinges that make component mounting and panel assembly a very simple task. When properly installed, the panel is securely fixed to the sidewall of the enclosure. This means that load-bearing weights are distributed throughout the assembly. The hinged suspended panel swings out of the way to provide full access to a panel or PC board mounting.

Typical Series Designators: CL and CLW Series Dead Front Panels

Size ID Number	H x W	Panel Thickness	Panel Type	Weight (Aluminum) (suffix: AL)	Fits Typical Enclosure Size
DF707	4.68 x 6.56 (119 x 167)	0.080 (2)	Flat	3 oz.	7 x 7 (178 x 178)
DF907	6.68 x 6.56 (170 x 167)	0.080 (2)	Flat	4 oz.	9 x 7 (229 x 178)
DF1109	8.68 x 8.56 (220 x 217)	0.080 (2)	Flat	8 oz.	11 x 9 (279 x 229)
DF1311	10.68 x 10.56 (271 x 268)	0.080 (2)	Flat	12 oz.	13 x 11 (330 x 279)
DF1513	12.68 x 12.5 (322 x 317)	0.080 (2)	Flat	18 oz.	15 x 13 (381 x 330)

Note: Available in hinged short side, contact factory for details
 Available as Factory Install Modification ONLY, contact factory for details
 Material available only in Aluminum (AL)

Enclosure Specific Accessories - Dead Front Panels



Typical Series Designators: J, JW, JCC, RJ, RJW Series Dead Front Panels

Size ID Number	H x W	Panel Thickness	Panel Type	Weight (Aluminum) (suffix: AL)	Fits Typical Enclosure Size
1008DF	9.75 x 7.75 (248 x 197)	0.080 (2)	Flat	8 oz.	10 x 8 (254 x 203)
1210DF	11.75 x 9.68 (298 x 246)	0.080 (2)	Flat	12 oz.	12 x 10 (305 x 254)
1412DF	13.75 x 11.75 (349 x 298)	0.080 (2)	Flat	1.1 lb.	14 x 12 (356 x 305)
1614DF	15.75 x 13.75 (400 x 349)	0.080 (2)	Flat	1.5 lb.	16 x 14 (406 x 356)
1816DF	17.75 x 15.75 (451 x 400)	0.080 (2)	Flat	2.5 lb.	18 x 16 (457 x 406)
J2016DF	19.81 x 15.75 (503 x 400)	0.080 (2)	Flat	2.4 lb.	20 x 16 (508 x 406)

Note: Available as Factory Install Modification ONLY, contact factory for details
 Material available only in Aluminum (AL)

Typical Series Designators: N Series Dead Front Panels

Size ID Number	H x W	Panel Thickness	Panel Type	Weight (Aluminum) (suffix: AL)	Fits Typical Enclosure Size
2016DF	16.00 x 11.50 (406 x 292)	0.080 (2)	Flat	2.4 lbs.	20 x 16 (508 x 406)
2420DF	20.00 x 15.38 (508 x 391)	0.080 (2)	Flat	3.8 lbs.	24 x 20 (610 x 508)
2424DF	20.00 x 19.38 (508 x 492)	0.080 (2)	Flat	4.8 lbs.	24 x 24 (610 x 610)
3020DF	26.00 x 15.38 (660 x 391)	0.080 (2)	Flat	5.0 lbs.	30 x 20 (762 x 508)
3024DF	26.00 x 20.25 (660 x 514)	0.080 (2)	Flat	6.5 lbs.	30 x 24 (762 x 610)
3630DF	32.50 x 25.88 (826 657)	0.080 (2)	Flat	10.5 lbs.	36 x 30 (914 x 762)

Note: Available as Factory Install Modification ONLY, contact factory for details
 Material available only in Aluminum (AL)

Enclosure Specific Accessories - Latches for Field Replacements or Modifications



J Series - JLL150KIT



NLL150WTKIT



SSLKIT



Control / N Series NLL150KIT

Latches for Field Replacement

SIZE ID NUMBER	CONFIGURATION	FAMILY	MAINTAINS DESCRIPTION
JLL150KIT	HLL	J, RJ, CL	Standard link lock latch used for "HLL" designations Type 4X
NLL150KIT	HLL	N	Standard link lock latch used on "N" Series Type 12, 3R and 4X
NLL150WTKIT	HLL	N	Standard link lock latch used on "N" Series Type 4X top & bottom
SSLKIT	HPL	J, RJ, CL	Standard padlock latch used for "HPL" designations Type 4X



WKJLatch



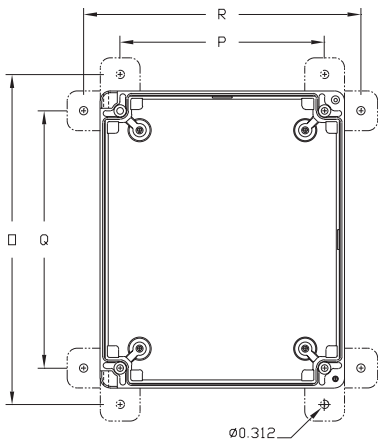
HASPKITSS

Field Replacements or Modifications

SIZE ID NUMBER	CONFIGURATION	FAMILY	MAINTAINS DESCRIPTION
WKJLatch	Wing Through Door	J, RJ	Operator mechanism for "J" series.
HASPKITSS	N/A	N	Stainless steel alternate hasp pin for "N" Series enclosures
HASPKITFG	N/A	N	Fiberglass alternate hasp pin for "N" series enclosures

Enclosure Specific Accessories – Mounting Feet

Classic Series Mounting Feet

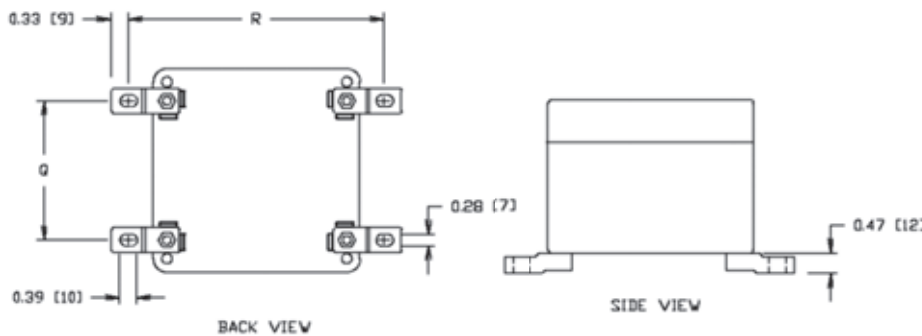


Mounting Feet
CLMTGFKIT

Classic Series Mounting Feet Dimensions

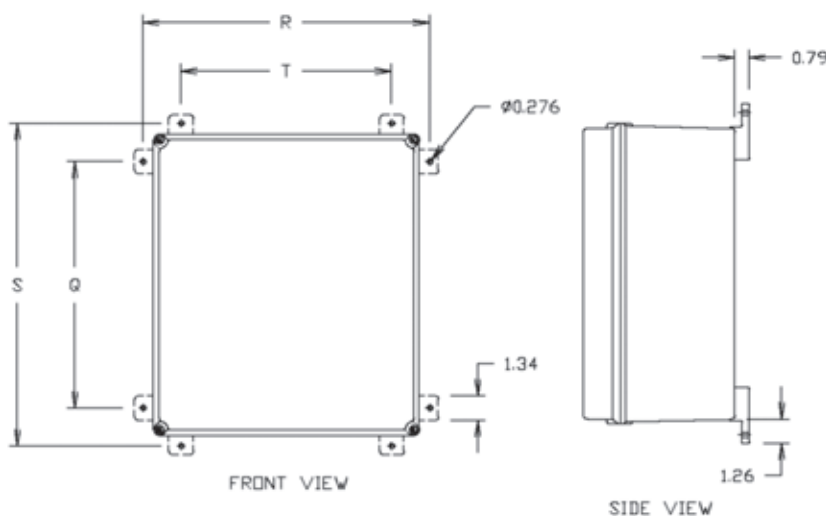
SIZE	O	P	Q	R
707	8.46 (215)	5.71 (145)	5.71 (145)	8.46 (215)
907	10.46 (266)	5.71 (145)	7.71 (196)	8.46 (215)
1109	12.46 (316)	7.71 (196)	9.71 (247)	10.46 (266)
1311	14.46 (367)	9.71 (247)	11.71 (297)	12.46 (316)
1513	16.46 (418)	11.71 (297)	13.71 (348)	14.46 (367)

DuraBoxx® Mounting Feet



DuraBoxx® D Series Optional Mounting

USED WITH MODEL NO.	MOUNTING Q X R	MTG FOOT KIT NO.
D554W	3.23 x 5.98 (82 x 152)	DMTGKIT
D594W	3.23 x 9.84 (82 x 250)	DMTGKIT
D774W	4.33 x 7.32 (110 x 186)	DMTGKIT
D7114W	4.33 x 11.26 (110 x 286)	DMTGKIT
D10105W	7.87 x 11.06 (200 x 281)	DMTGKIT
D10165W	7.87 x 16.77 (200 x 426)	DMTGKIT
D14144W	12.20 x 15.20 (310 x 386)	DMTGKIT
D16165W	13.98 x 16.77 (355 x 426)	DMTGKIT



DuraBoxx® DL Series Optional Mounting

USED WITH MODEL NO.	MOUNTING Q X R	MOUNTING S X T	MTG FOOT KIT NO.
DL18127W	12.66 x 11.34 (321 x 288)	N/A	DLMTGKIT
DL18168W	13.53 x 15.73 (344 x 400)	17.70 x 11.56 (450 x 294)	DLMTGKIT
DL24168W	20.63 x 17.70 (524 x 450)	24.80 x 13.53 (630 x 344)	DLMTGKIT

Caution: Metric units are for reference; do not convert



Fiberglass Trough & Strut

FT

FT Fiberglass Trough



FT6612

Fiberglass trough is a useful complement to wall mount control systems. Made from fiberglass pultrusion, trough features permanent end caps as well as a snap lock cover that forms a solid housing.

Trough is offered as simple protection to wiring from water, oil, dust or corrosive environments, including greenhouses, food processing, plating rooms, pickling and printed circuit board manufacturing. The basic offering includes a six by six structure that is available in six common lengths.

Fiberglass trough & strut do not carry any UL or CSA ratings.

Fiberglass Trough Dimensions

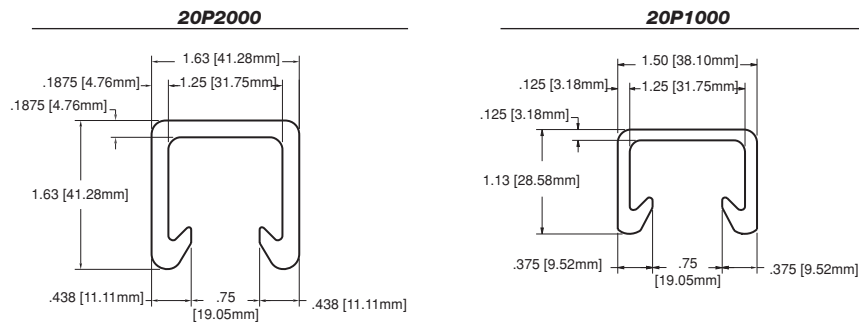
SIZE ID NUMBER	INSIDE DIMENSIONS H X W X D	OUTSIDE DIMENSIONS H X W X D	UNIT WEIGHT
FT6612	6 x 6 x 12 (152 x 152 x 305)	6-3/8 x 6-5/8 x 12-3/8 (162 x 168 x 314)	4.82 lbs.
FT6624	6 x 6 x 24 (152 x 152 x 610)	6-3/8 x 6-5/8 x 24-3/8 (162 x 168 x 619)	8.61 lbs.
FT6636	6 x 6 x 36 (152 x 152 x 914)	6-3/8 x 6-5/8 x 36-3/8 (162 x 168 x 924)	12.40 lbs.
FT6648	6 x 6 x 48 (152 x 152 x 1219)	6-3/8 x 6-5/8 x 48-3/8 (162 x 168 x 1229)	16.19 lbs.
FT6660	6 x 6 x 60 (152 x 152 x 1524)	6-3/8 x 6-5/8 x 60-3/8 (162 x 168 x 1534)	19.98 lbs.
FT66120	6 x 6 x 120 (152 x 152 x 3048)	6-3/8 x 6-5/8 x 120-3/8 (162 x 168 x 3058)	40.00 lbs.

All measures are in inches, items in parentheses are in millimeters.

Fiberglass Trough & Strut

Fiberglass Strut

Fiberglass strut is the finishing complement to trough. Used for both mounting purposes and support, this rigid pultruded fiberglass mounting system is designed around two configurations. This rigid support system is completely corrosion resistant.



Fiberglass Strut

SIZE ID NUMBER	SIZE (INCHES)	WEIGHT PER 100' STRUT
20P2000	10' length	65.0
20P1000	10' length	52.0